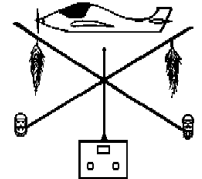


Tips And Tales



October 16

OFFICIAL NEWSLETTER OF THE CALUMET FLYERS

*An AMA Gold Level Leader Club
Brillion, Wisconsin*

Kelly Sweetman/Editor

GPS Field Location: N 44° 10' 08.0" W 088° 09' 20.6"

MEETING NOTICE

The next meeting of the Calumet Flyers will be held at the Outreach Youth Center on Church Street in Forest Junction on Monday the 10th day of October, 2016 at 7:00 pm.

Event Calendar

****See Attached Flyers****

Please help getting the word out on our upcoming swap meet and auction in November. Eric will appreciate any help he can get. Ours is still one of the biggest in the state, and it's easy to find.

Club Officers:

President:	Scott Cordy	242-9432
Vice-President:	Mike Gauerke	993-0156
Secretary:	Mike Gigl	337-4824
Treasurer:	Alan Falnes	735-0793
Multimedia:	Eric Schultz	901-6837

www.calumetflyers.com

Helpful hands for flying assistance.

Fred Scholz	769-0576
Kelly Sweetman	901-2088
Maynard Krueger / Flight Sim.	766-2609

Please call to make an appointment

Presidents Corner

Hello everyone,

The next meeting will be held back at the Outreach Center.

It's been a tough month for us all, but everything is starting to get taken care of. Thanks Al and Mike for getting the finances back up and running again.

Several of us went to Green Bay this last weekend and really put on a great show! Mike Horney, Lloyd Federer, Jeff Fintemann, Kelly Sweetman put on several 3D shows, while Mike Gaurke, Myself, Jeff Fintemann, Dennis Horney and Lloyd Federer flew several warbird sorties. It was a little crosswind but my Texan blew thick smoke at us and the crowd. I heard a few people choking. Lol Other fliers there included Phil Voights, Pat Ehland, Joe Collar and Eric Iverson. The food and desserts were great.

Thinking about going to Illinois this weekend for a chili supper at Freeport. Hopefully we'll have some more good flying weather.

Stay safe and keep your wings level,

Scott D. Cordy



Meeting Notes

Minutes from the September 12, 2016 Meeting. Meeting was called to order at 7:00. 11 members were in attendance.

Minutes from the August meeting were read and approved.

The treasurer's report for August was given and approved. August expenses were utilities, field maintenance expenses, septic, newsletter expenses, and lawn mower repairs.

September bills are utilities, field maintenance expenses, club food expenses, and clubhouse repairs. Motion passed to pay the bills.

OLD BUSINESS

There are 64 members in the club as of this meeting.

NEW BUSINESS

Al Falnes is taking over temporarily for John Bittner as treasurer. He is working through understanding the accounting system that John used. A motion was passed to make Al the interim treasurer until the next election.

The club has given donations to the memorial funds in the name of Marv Zwick to the Affinity hospice and to a special fund for Calumet Flyers youth and new flyers in the name of John Bittner.

The three serving windows and the door of the clubhouse have been repaired. Still looking at the roof and other repairs required for the clubhouse.

8 pilots attended the Calumet Aerobatic Clash and they are eager for more. There is a discussion on having another event next year for beginning aerobatics. Some tentative dates for this are May 21st, June 4th, and June 11th.

There is also the possibility of holding a sanction event. This would be two days and some tentative dates for this are: July 22-23, July 29-30, Aug 5-6 or Aug 12-13. Much more discussion and coordination will be required for the sanctioned event.

Meeting adjourned at 7:39 pm.

Respectfully submitted,

Michael Gigl
Secretary

Our annual swap meet and auction is only a few short weeks away. Now is the time to try to sell the stuff you're not using, or find something new to take up more space in your workshop. Eric will be looking for help setting up tables and tearing down at the Holiday Inn in Manitowoc again this year. If you're able to help, please let him know. Thank you.

****Internet sites****

Calumet Flyers

www.calumetflyers.com

Astrowings

<http://www.astrowings.com/>

Fond Du Lac Aero modelers

<http://www.fond-du-lac-aa.com/>

River Valley Flyers

<http://www.rivervalleyflyers.com/newsletter.html>

Valley Aero Modelers

<http://www.flyvam.com/>

Green Bay Model Airplane Club

www.gbmac.com

Manitwo Flyers

<http://www.manitwoflyers.com/>

Interested in Joining?

\$25.00 for a single \$12.50 for Junior members (under 18)

\$25.00 Initiation fee for new Members

Send Payment to:

Alan Falnes

4500 N. Snowy Owl Court

Appleton, WI 54913

Directions to Field: From Appleton East on Hwy 10 turn south onto Hwy 57 at Forest Junction to Cth B left ¼ mile to field.

If you would like to submit an article, suggestion, comment or item for sale, you may e-mail it to:

sweetke62@gmail.com

Or call me at (920) 726-4374

*Kelly Sweetman
6030 County Road LS
Manitowoc, WI 54220*



WAUSAU R/C SPORTSMEN'S 22nd Annual

SANCTIONED BY THE ACADEMY OF MODEL AERONAUTICS 16/369

R/C SWAP MEET & AUCTION

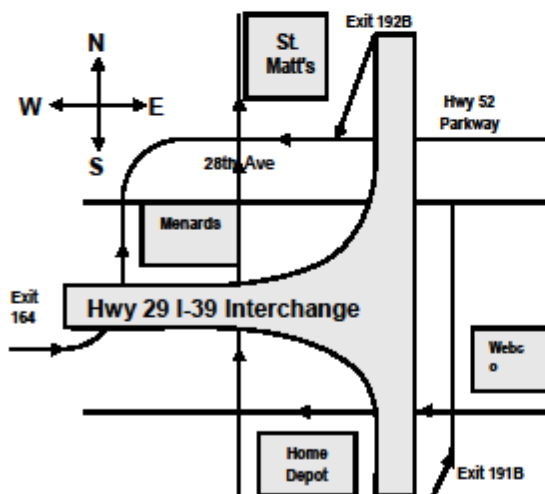
SUNDAY, OCT. 23, 2016

St. Matthews/Faith Academy, 28TH AVE. ~ WAUSAU, WI

DOORS WILL OPEN AT 8:00 AM

SWAP 8:00 to NOON ~ AUCTION 9 to 11:00 AM ~ RAFFLE AT 11:45 AM

St. Matthew's/Faith Academy is located at
228 South 28th Avenue



DOORS OPEN AT 8:00 AM

ADMISSION - \$5.00 (12 & under FREE)

**50+ TABLES
AVAILABLE
(NO CHARGE)**

**RAFFLE PRIZES
(DRAWING AT 11:45 AM)**

**- LUNCH -
Coffee ~ Donuts ~ Pop
Hot Sandwiches**

FOR INFORMATION GO TO: www.wausaurcsportsmen.org... OR
Ron Erhardt - 715-536-3928 - renhardt@airnetisp.com

CALUMET FLYERS

44th ALL R/C
SWAP MEET & AUCTION
SUNDAY, NOVEMBER 6th, 2016



Holiday Inn
Manitowoc, WI

4601 Calumet Ave.
Manitowoc, WI 54220
Intersection of I-43 &
US Hwy 151, Exit 149

Doors Open for setup: 8:00 a.m.
Swap Shop: 8:30 a.m. to 11:00 a.m.
Raffle at 11:00 a.m.
Auction to Follow!

NO TABLE FEES!

(90 Tables Available)

ADMISSION JUST \$5.00

Kids 12 & under: Free



Web Site: www.calumetflyers.com

C.D. Eric Schultz
920-901-6837
calumetflyers@gmail.com